

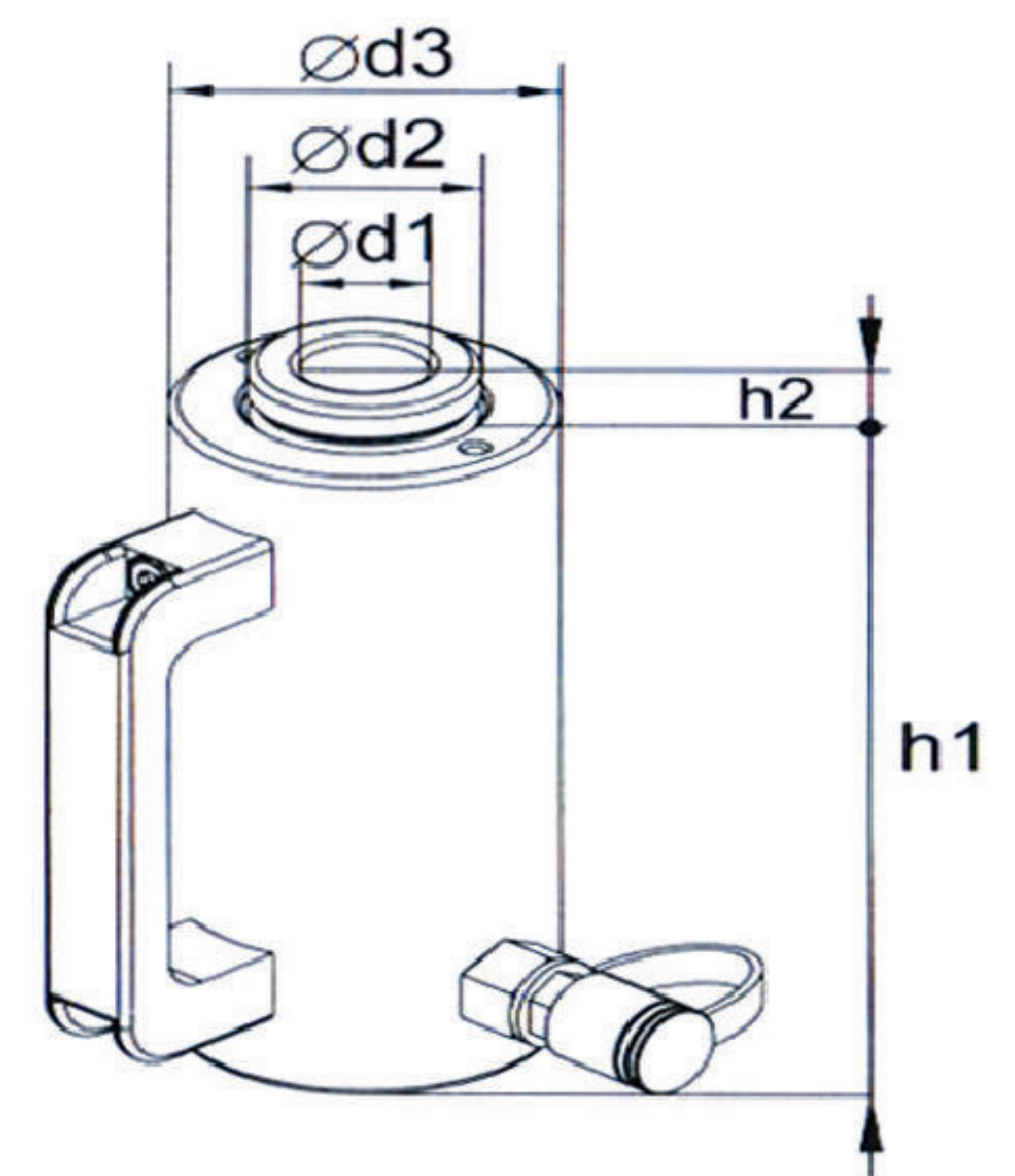


# LR-10T/20T/30T/50T/100T Pull-out Anchor Tester

Langry pull-out anchor tester is suitable for testing the anchoring force of various anchors, rebars, expansion bolts, and other anchoring components and it can also be used for testing the tensile strength of glass curtain walls on-site.

## Technical advantages >>

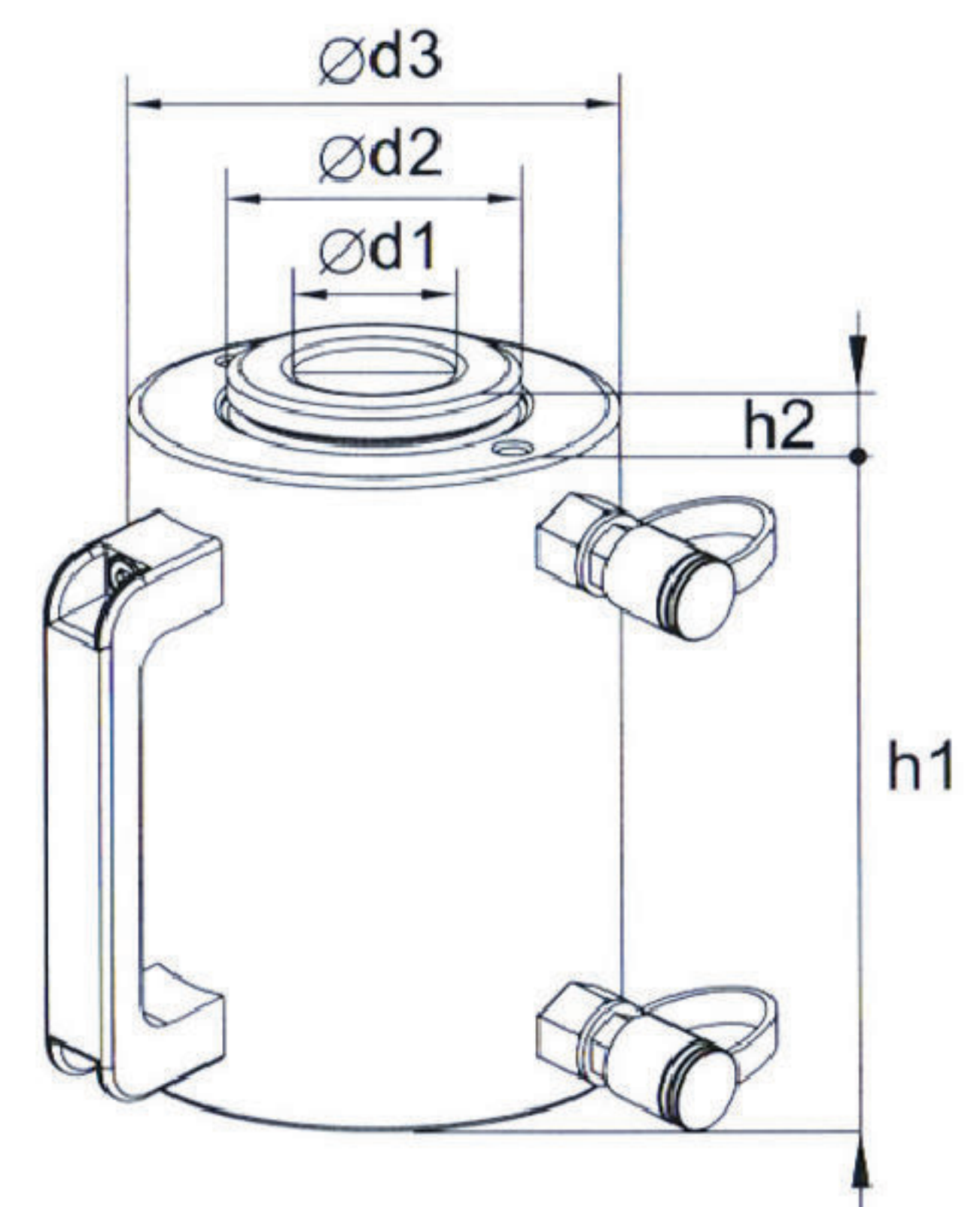
- ◆ The thickened high-strength steel, no deformation under high pressure.
- ◆ Ultra power-saving design for working time of more than 200 hours.
- ◆ Zero tracking, peak hold, automatic shut down.
- ◆ Memory capacity of 500 data records and functioned with dot-matrix LCD with back lighting.
- ◆ Automatic data correction to improve the accuracy of the instrument.
- ◆ LCD monitor with wide viewing display for reading convenience.
- ◆ The oil pump and one-way valve do not leak oil during precision machining at constant pressure.



Spec.	100kN	200kN	300kN
Ød1	27mm	35mm	45mm
Ød2	49mm	65mm	74mm
Ød3	81mm	116mm	125mm
h1	180mm	210mm	210mm
h2	11mm	11mm	11mm

## Technical parameters >>

Model	LR-10T	LR-20T	LR-30T	LR-50T	LR-100T
Cylinder center hole	27mm	35mm	45mm	60mm	86mm
Cylinder stroke	60mm	70mm	70mm	120mm	150mm
Measurement range	0~100kN	0~200kN	0~300kN	0~500kN	0~1000kN
Cylinder weight	5.5kg	13kg	15kg	25kg	58kg
Common anchorage	Φ6~Φ20	Φ6~Φ25	Φ6~Φ32	Φ6~Φ40	Φ25~Φ50
Pull rod	M18	M24	M30	M39	M45
Converter	M6-20	M6-22	M6-27	M6-36	M20-42



Spec.	500kN	1000kN
Ød1	60mm	86mm
Ød2	104mm	148mm
Ød3	160mm	220mm
h1	220mm	270mm
h2	11mm	22mm